

BLUE-SPIRIT

Powered by Euro Offshore BV



Euro Offshore.com

Blue Spirit

Powered by Euro Offshore BV

Blue Spirit is a Dutch company based in Werkendam, close to the Rotterdam port. We are specialized in designing and building glass reinforced plastic (GRP) patrol and rescue RIBs. Our Rigid Hull Inflatable Boats (RHIB's) are first in class and custom built according to your specifications.

Blue Spirit stands for the best design, quality & best price in the market. All Blue Spirit RIBs are built in the Netherlands; the Dutch craftsman is the backbone of this product. The Blue Spirit RIBs will be delivered with state of the art accessories and engines.

All Blue Spirit RIBs are CE classified and our Fast Rescue Boats are Solas/MED classified. The 15 years experience in the boat building industry gives the client the possibility to order custom built boats. No nonsense, fair pricing!

If you require more detailed information about our Blue Spirit RIBs please visit our website, or visit our factory to take one for a test run!

We are looking forward seeing you!

With kind regards,



Herman Vroege
Director



Blue Spirit

Beatrixhaven 19, 4251 NK, Werkendam,
The Netherlands, +31(0) 183 69 10 10,
info@eurooffshore.com, www.bluespiritboats.com



Blue Spirit BS15 Concept design

LOA: 15m00

BOA: 3m50

Engines: 3x Seven Marine 627HP

Euro Offshore

Facilities



BEATROUHAVEN	
Seerens BV	71
Instabo BV	73
Van Wijk Scheepvaart	76
BEATROUWAVEN	
Clack BV	25a
Hoogenboom wsa	35
IMS-Werkendam BV	25b
Transop Bevrachting BV	43
v.d. Berrn&Co Productie	27



Main office and worldwide distributors

The headquarters and factory of Euro Offshore BV is based in Werkendam, the Netherlands.

Our main office and factory Euro Offshore BV is based in Werkendam in the south of the Netherlands, approximately 1 hour drive from Amsterdam international airport (Schiphol).

Our yard facilities in the Netherlands include the main office with sales, service, design & engineering and backoffice, a workshop over 2000m² with an inhouse aluminium welding facility, assembly department and sailmakershop.



Our company has gained an excellent reputation for quality design and construction at reasonable prices. It is generally accepted as one of the premier GRP builder of small (15' to 46') boats in The Netherlands.

In recent years we built between 6 and 10 boats per year, depending on size and complexity. Increasing the volume of business, though desirable in some respects, is not a high priority. Our objective is to do an excellent job of design and construction on boats for exacting needs. Our boatbuilding operation has spawned an increasing amount of fabrication work, particularly marine accessories.

Why Blue Spirit boats?

- Strong GRP hulls
- Optional non wood and vacuum injection
- Choice in Hypalon air or PU foam collar fenders
- Choice in engines and propulsion
- Built to class according to your specs
- Perfect sea handling
- Built in Holland
- Very attractive pricing
- Our Fast Rescue Boats are Solas/MED classified

If you require more detailed information about our Blue Spirit boats or take one for a test run, don't hesitate to call us or visit our showroom and factory in Werkendam (The Netherlands).

Blue Spirit OP and SP Line specifications 3.55 till 5.70 meter.

Hull and fender:

All Blue Spirit Open and Sport line RIBs are equipped with a Hypalon air collar and fibreglass hull.

GRP construction:

Standard wood GRP core, optional Divinycell core and vacuum injection manufacturing.

Steering console / jockey console:

GRP steering console including windshield of polycarbonate in stainless steel frame, hatch with twist lock without key.

Miscellaneous

The Open and Sport Line RIBs are standard delivered with non-skid deck, lifting eyes, repair kit, footpump drain plugs in hull and from deck, lifelines, user manual and much more.

Accessories:

5-Switch waterproof panel, fire extinguisher, manual bilge pump (optional automatic), battery switch, battery boxes, etc.

Blue Spirit

Powered by Euro Offshore B.V.

Blue Spirit Patrol specifications 6.50 till 15.00 meter.

Hull and fender:

G.R.P hull, hand lay-up 10mm, gel coat, anchor compartment at bow with bollard, inox bow ring, 3 mooring points, removable Hypalon air tubes with 5 separate chambers (incl. pressure release valves). Hull layout for outboard, mid engine and stern engine have same prices.

GRP construction:

Standard wood GRP core, optional Divinycell core and vacuum injection manufacturing.

Steering console:

GRP steering console including windshield of polycarbonate in stainless steel frame, compartment under console for toilet (option) or storage, hatch with twist lock without key.

Cabin:

Optional closed GRP wheelhouse.

Fuel tank:

Standard 200 liter aluminum fuel tank, extra capacity optional, deck fuel filler.

Engines and propulsion:

Optional all major outboard or inboard engines can be build according to your wishes, jet, surface or stern drive propulsion, complete instrument gauges as supported by engine manufacturer, remote control, cable or power steering system.

Seats:

Optional suspended jockey seats and helmsman seats with cushions and backrest and grip handles Benches in several designs.

Radar beam:

Aluminum radar beam with collision protection, self righting system (option).

Bimini tops:

Black aluminum frame complete with canvas bimini or FRP top with compartment (option).

Navigation:

Navigation lights, GPS plotter, VHF radio, radar, search light, infrared night vision camera (option).

Miscellaneous

The Patrol RIBs are standard delivered with non-skid deck, 4 stainless steel lifting eyes, repair kit, footpump, drain plugs in hull and from deck, lifelines, user manual and much more.

Accessories:

5-Switch waterproof panel, fire extinguisher, manual bilge pump (optional automatic), battery switch, battery boxes, etc.

Blue Spirit

Products

At Blue Spirit we build different types of GRP RIBs, each one specially designed for its own use. Whether you need a sport RIB, work RIB, yacht tender, fast rescueboats or a custom build boat, at Blue Spirit we build high quality GRP boats according to the latest requirements and CE regulations. Each type of RIB is build in several lengths with different options to suit the clients wishes.

The Blue Spirit range contains:

- Open Line
- Sport Line
- Patrol Line
- Fast Rescueboats

Due to our extensive experience in RIB building we also build custom made RIB according to our client's requests.

Blue Spirit offers the best designs and prices for all companies like yachting, navy, dredging, rescue, offshore and many more.



Blue Spirit Open Line

All Blue Spirit Open Line (OP) RIBs are equipped with a Hypalon air collar and the fibreglass hull will be produced by hand lay-up method. Vacuum injection manufacturing is optional. Models available; the OP40, OP60, OP80, OP90 and OP100 and vary in size from 3.55 till 5.70 meters.

The Blue Spirit Open Line RIBs have a capacity of 8 to 14 persons. The Open Line RIBs are standard delivered with anti-sliding deck, lifting eyes, drain plugs in hull and from deck, lifelines and much more.



Blue Spirit Sport Line

All Blue Spirit Sport Line (SP) RIBs are equipped with a Hypalon air collar and the fibreglass hull will be produced by hand lay-up method. Vacuum injection manufacturing is optional. Models available; the Sport80, Sport90, Sport100, and vary in size from 4.90 till 5.70 meters.

The Blue Spirit Sport Line RIBs have a capacity of 8 to 14 persons. The Sport Line RIBs are standard delivered with steering console, seating arrangement, anti-sliding deck, lifting eyes, drain plugs in hull and from deck, lifelines and much more.



Blue Spirit Patrol Line

The Blue Spirit Patrol RIBs are available with different engine configurations. It is possible to choose between an in- or outboard version. The inboard engine can be placed in the center of the aft of the RIBs. The propulsion system options for the Blue Spirit RIBs are either sterndrive or waterjet.



Blue Spirit Fast Rescueboats

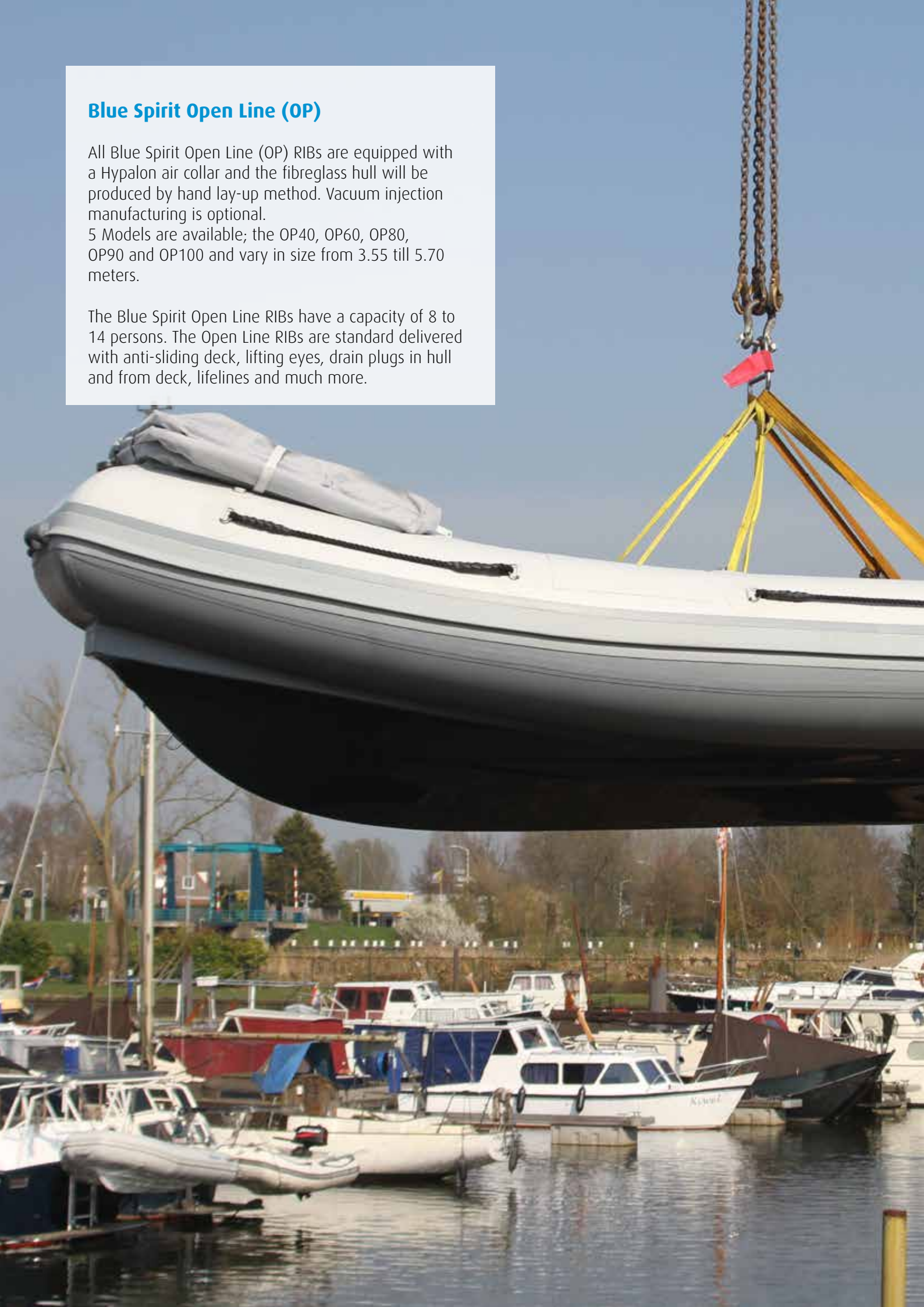
The Blue Spirit Fast Rescueboats are Rescueboats of the RIB type (rigid hull inflatable boats). Our existing boat lines proved themselves as the ideal starting platform for a RIB built according to your specifications. Our custom fast rescueboat (FRC) is Solas/MED approved.

Blue Spirit Open Line (OP)

All Blue Spirit Open Line (OP) RIBs are equipped with a Hypalon air collar and the fibreglass hull will be produced by hand lay-up method. Vacuum injection manufacturing is optional.

5 Models are available; the OP40, OP60, OP80, OP90 and OP100 and vary in size from 3.55 till 5.70 meters.

The Blue Spirit Open Line RIBs have a capacity of 8 to 14 persons. The Open Line RIBs are standard delivered with anti-sliding deck, lifting eyes, drain plugs in hull and from deck, lifelines and much more.



Blue Spirit Open Line (OP)



Type	Length	CE	Tube dia	Persons	Weight (kg)	Engine HP Max
OP 40	3.55 x 1.78	C	0.48	6	85	35
OP 60	4.20 x 1.85	C	0.50	7	120	50
OP 80	4.90 x 2.00	C	0.54	8	180	65
OP 90	5.20 x 2.20	D	0.54	10	220	85
OP 100	5.70 x 2.30	D	0.54	14	285	125

Standard equipment:

- Casco hull
- Hypalon Neoprene tube - lifelines - rubbing strake
- Drain plug
- Lifting eyes and lifting sling
- Footpump
- Paddle set
- Repair kit

Options on all open line boats are:

- Outboard engine
- Radar beam
- Self righting system
- Steeringconsole
- Hypalon foam collar
- PU foam filled fender
- Jockeysseats
- Suspension seats
- Bench
- GPS, radio, radar, etc
- Inox keel protection
- Sun deck
- Boat cover



Blue Spirit Sport Line (SP)

All Blue Spirit Sport Line (SP) RIBs are equipped with a Hypalon air collar and the fiberglass hull will be produced by hand lay-up method. Vacuum injection manufacturing is optional. 3 Models are available; the Sport80, Sport90, Sport100, and vary in size from 4.90 till 5.70 meters.

The Blue Spirit Sport Line RIBs have a capacity of 8 to 14 persons. The Sport Line RIBs are standard delivered with steering console, seating arrangement, anti-sliding deck, lifting eyes, drain plugs in hull and from deck, lifelines and much more.



Blue Spirit Sport Line (SP)



Type	Length	Tube dia	Persons	Weight (kg)	Engine HP Max
SP 80	4.90 x 2.00	0.54	8	230	65
SP 90	5.20 x 2.20	0.54	10	270	85
SP 100	5.70 x 2.30	0.54	14	334	125

Standard equipment:

- Casco hull
- Hypalon Neoprene tube - lifelines - rubbing strake
- Drain plug
- Lifting eyes and lifting sling
- Footpump
- Paddle set
- Repair kit

Options on all open line boats are:

- Outboard engine
- Radar beam
- Self righting system
- Hypalon foam collar
- PU foam filled fender
- GPS, radio, radar, etc
- Inox keel protection
- Sun deck
- Boat cover

Blue Spirit Patrol Line

The Blue Spirit Patrol RIBs are available with different engine configurations. It is possible to choose between an in - or outboard version. The inboard engine can be placed in the center of the aft of the boat. The propulsion system options for the Blue Spirit RIBs are either sterndrive or waterjet.

The Blue Spirit Patrol line is available in standard lengths of 6m50, 7m50, 8m20, 9m20, 10m20 and 11m20. Because of our unique building program and the use of inserts in our different moulds, we can produce any length on your request. Because of this high freedom in design and construction, and the proven hullshape in the workboat industry, the Blue Spirit Patrol Line has proven itself in a wide variety of fields, for example in the yachting, navy, dredging, customs, firebrigades and police.



Blue Spirit Patrol Line



Type	Length	Beam	Draft	Tube dia	Persons	Weight (kg)	Fuel Tank
Patrol 6.5	6.50	2.42 / 2.52	0.40	0.45 / 0.55	7	905	200 L
Patrol 7.5	7.50	2.43 / 2.52	0.40	0.45 / 0.55	8	985	200 L
Patrol 8.2	8.20	2.95 / 3.00	0.45	0.55 / 0.60	14	1210	200 L
Patrol 9.2	9.20	2.95 / 3.00	0.45	0.55 / 0.60	16	1270	200 L
Patrol 10.2	10.20	2.95 / 3.00	0.45	0.55 / 0.60	18	1450	200 L
Patrol 11.2	11.20	2.95	0.45	0.55 / 0.60	22	1610	200 L

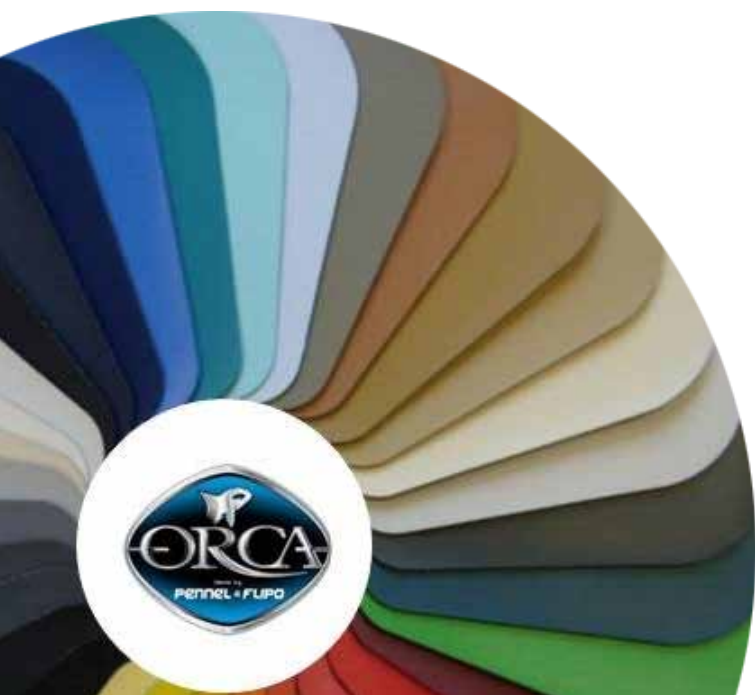
Above 11.2 meter on request

Standard hull specifications:

- Casco hull
- Air filled fender - lifelines - rubbing strake
- 200 liter fuel tank with fuel inlet/air vent
- Bollard (in bow)
- Bilge flaps
- Lifting eyes
- Footpump
- Repair kit

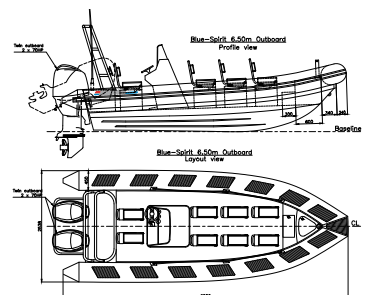
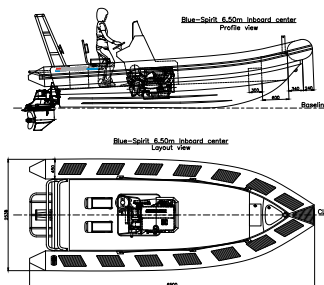
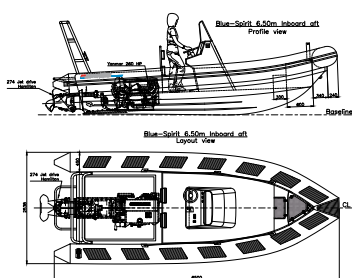
Option package

- Inboard or outboard engine with sterndrive or waterjet propulsion
- Divinycell core
- Vacuum injection manufacturing
- Teak deck finishing
- PU foam filled D- or round fender
- Anti-slide patches
- Straps for securing inventory bags
- Small / medium / large steering console
- Front seat on console
- Polycarbonate window shield
- Extra handgrips
- Jockeysat 50 / 150-180mm suspension
- Suspension seat
- Leaning post
- Benches / tables
- Cabin
- HVAC system
- Navigation system
- Communication system
- Water system (toilet)
- Various deck equipment
- Various anchor and mooring equipment (line)
- Professional electrical installation IP67
- Manual/ electrical bilge pump





Blue Spirit Patrol 6.5m



Patrol 6,5m specifications:

Length (meters)	6.50m
Beam (meters)	2.42/2.52m
Draft (meters)	0.40m
Tube (meters)	0.45/0.55m
Weight (kilogram)	905kg
Fuel tank	200l
Max. persons	7

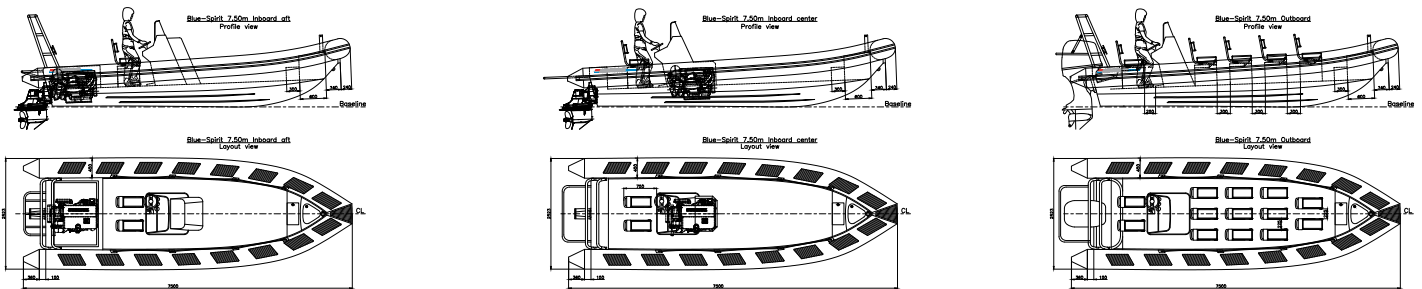
Engine specifications:

- Outboard engine max 200 hp
- Inboard engine max 200 hp





Blue Spirit Patrol 7.5m



Patrol 7,5m specifications:

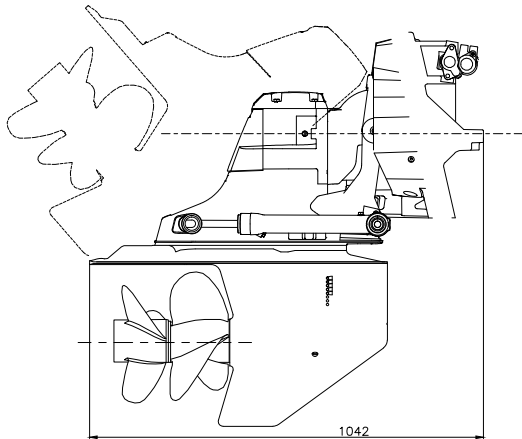
Length (meters)	7.50m
Beam (meters)	2.42/2.52m
Draft (meters)	0.40m
Tube (meters)	0.45/0.55m
Weight (kilogram)	985kg
Fuel tank	200l
Max. persons	8

Engine specifications:

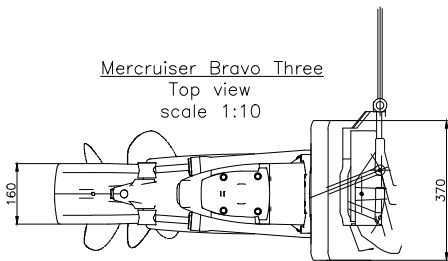
- Outboard engine max 2x200 hp
- Inboard engine max 350 hp



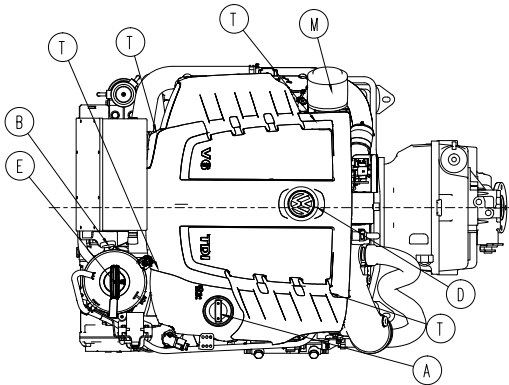
Mercuriser Bravo Three
SB view
scale 1:10



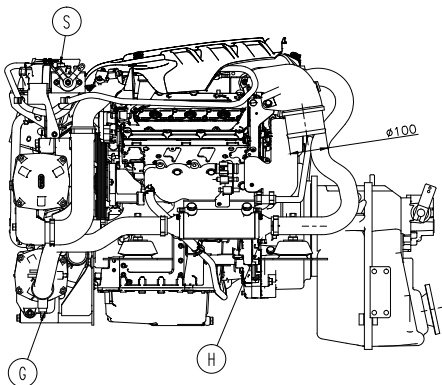
Mercuriser Bravo Three
Top view
scale 1:10



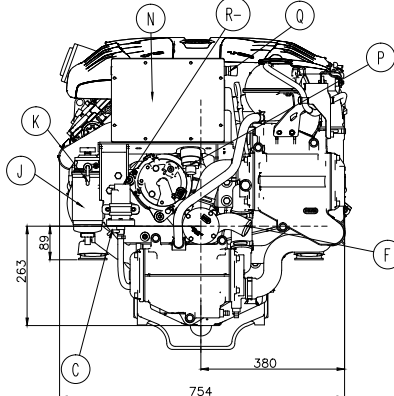
Volkswagen 265-6 TDI
Top view
scale 1:10



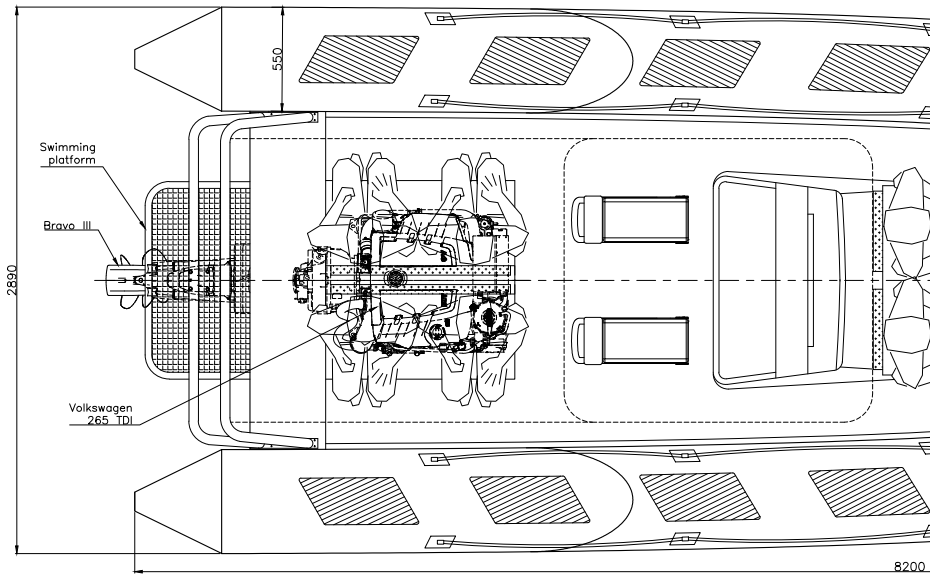
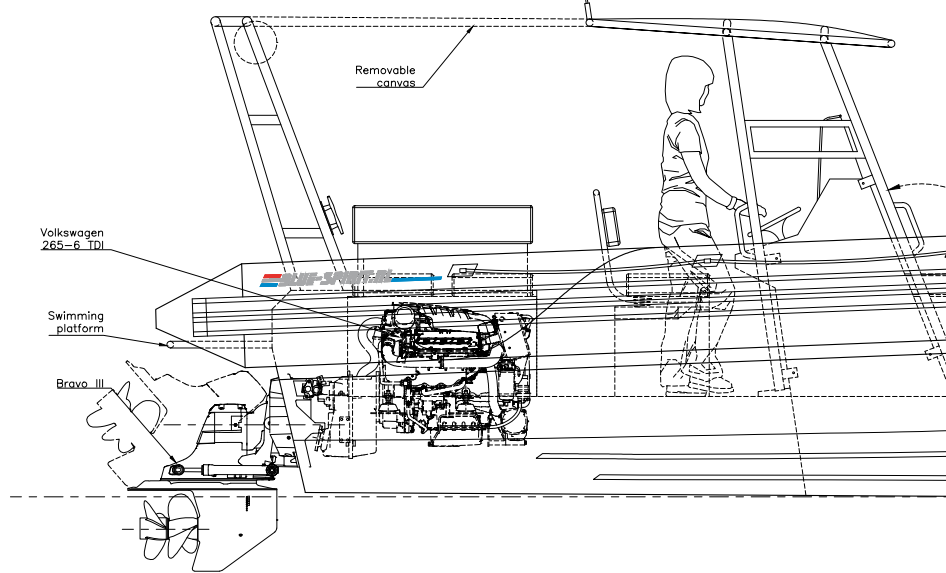
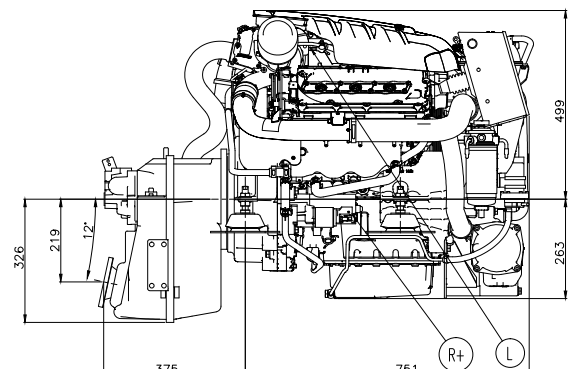
Volkswagen 265-6 TDI
PS view
scale 1:10



Volkswagen 265-6 TDI
Aft view looking fwd
scale 1:10

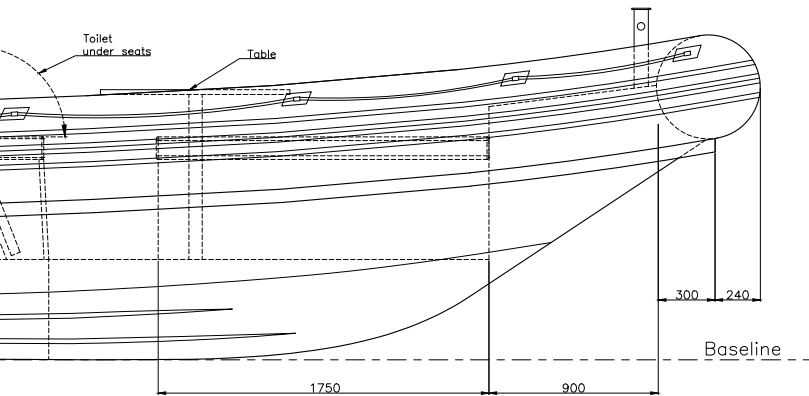


Volkswagen 265-6 TDI
SB side view
scale 1:10

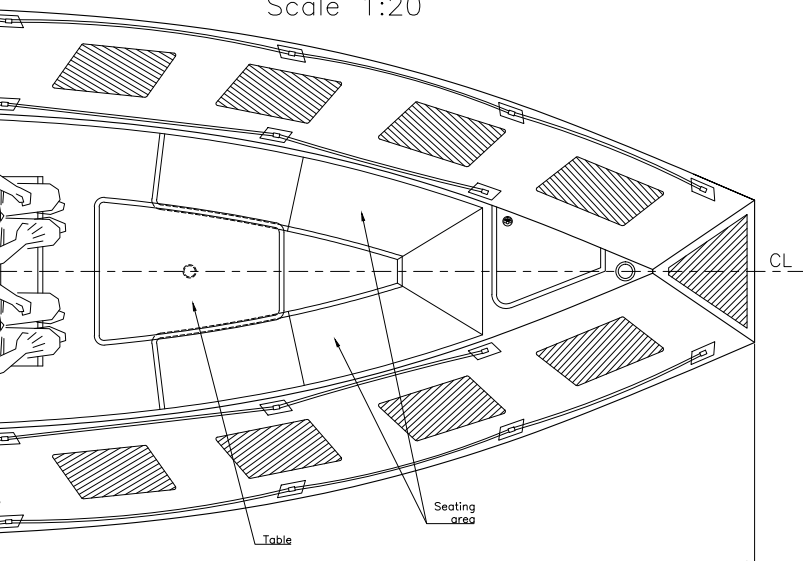




Blue-Spirit 8.2m Inboard aft
Profile view
Scale 1:20



Blue-Spirit 8.2m Inboard aft
Layout view
Scale 1:20



Blue Spirit 8.2 Patrol C specifications

Engine:	Volkswagen 265-6
Stern drive:	Mercruiser Bravo III
Hull:	Hand lay-up GRP
Tube:	Hypalon Neoprene 1670 DTEX coated
Rollbar:	Coated Marine Aluminum
T-top:	Coated Marine Aluminum

Volkswagen Marine 265-6 TDI Information

A - Oil filler cap, engine	L - Fuel return connection Ø 0,31"
B - Oil dip stick, engine	M - Air filter
C - Oil drain with electric pump	N - MDC and fuses
D - Oil filter	P - Plug for instrumentation harness
E - Water filler cap fresh water	Q - Engine safety stop
F - Water inlet sea water Ø1,75"	R - Battery connection
G - Water drain heat exchanger, sea water	S - Throttle cable connection
H - Water drain cooler, sea water	T - Lifting Eye
J - Fuel filter	* - For correct dimensions see under Marine Power Europe
K - Fuel inlet connection Ø 0,31"	

Project name:		
Blue Spirit 8.2 Patrol C		
Title: Presentation Blue Spirit 8.2 Patrol C		
File name: Blue Spirit 8m2.dwg		
Drawn: B. van der Wijk	Date: 25-06-2012	
Paper size: A1	Scale: 1:20 / 1:10	Sheet: 1/1

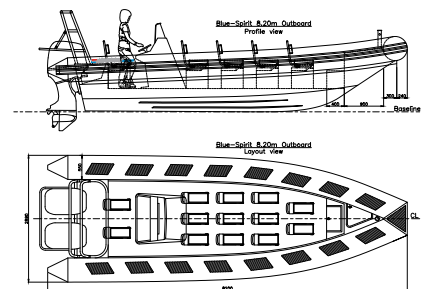
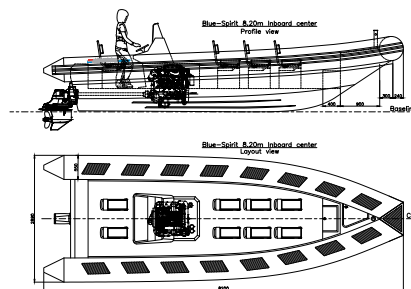
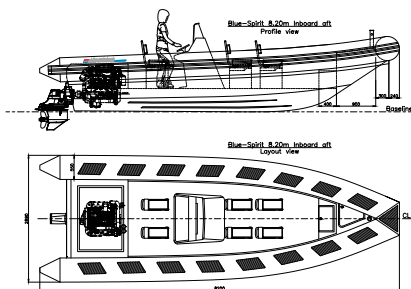


This drawing is the property of EURO OFFSHORE SERVICES B.V. and is not to be reproduced nor used in any matter detrimental to our interests. © All rights reserved.

EURO OFFSHORE SERVICES B.V., Beatrixhaven 19, 4251NK Werkendam, The Netherlands
T +31(0)183 500 765, E info@eurooffshoreservices.nl, I www.bluespiritboats.com



Blue Spirit Patrol 8.2m



Patrol 8,2m specifications:

Length (meters)	8.20m
Beam (meters)	2.95/3.00m
Draft (meters)	0.45m
Tube (meters)	0.55/0.60m
Weight (kilogram)	1210kg
Fuel tank	200l
Max. persons	14

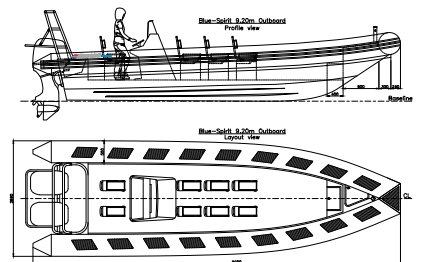
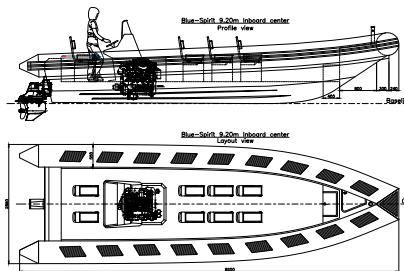
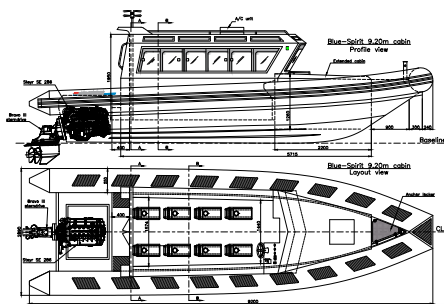
Engine specifications:

- Outboard engine max 2x300 hp
- Inboard engine max 450 hp





Blue Spirit Patrol 9.2m



Patrol 9,2m specifications:

Length (meters)	9.20m
Beam (meters)	2.95/3.00m
Draft (meters)	0.45m
Tube (meters)	0.55/0.60m
Weight (kilogram)	1270kg
Fuel tank	200l
Max. persons	16

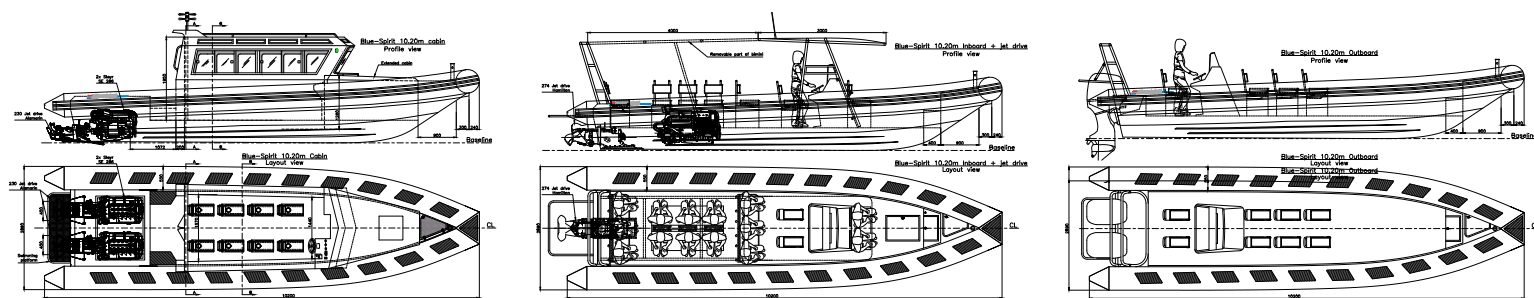
Engine specifications:

- Outboard engine max 2x300 hp
- Inboard engine max 450 hp





Blue Spirit Patrol 10.2m



Patrol 10,2m specifications:

Length (meters)	10.20m
Beam (meters)	2.95/3.00m
Draft (meters)	0.45m
Tube (meters)	0.55/0.60m
Weight (kilogram)	1450kg
Fuel tank	200l
Max persons	18

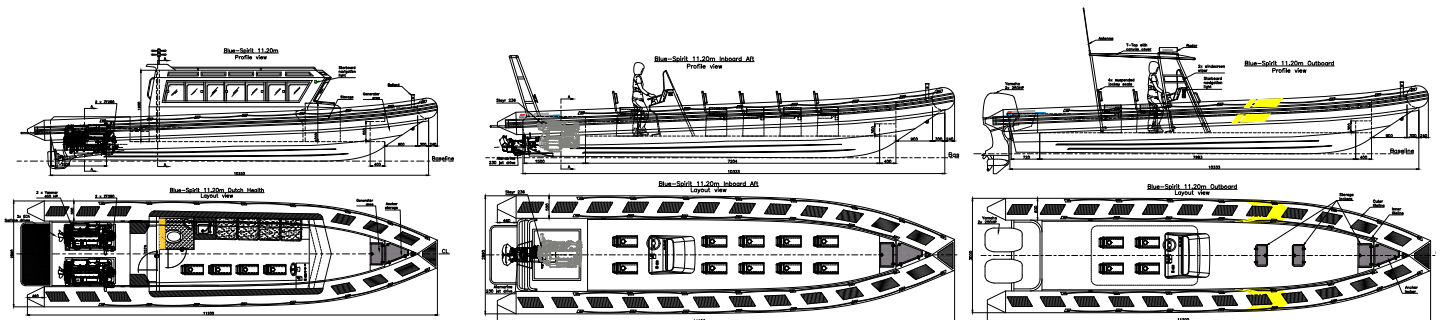
Engine specifications:

- Outboard engine max 2x300 hp
- Inboard engine max 450 hp





Blue Spirit Patrol 11.2m



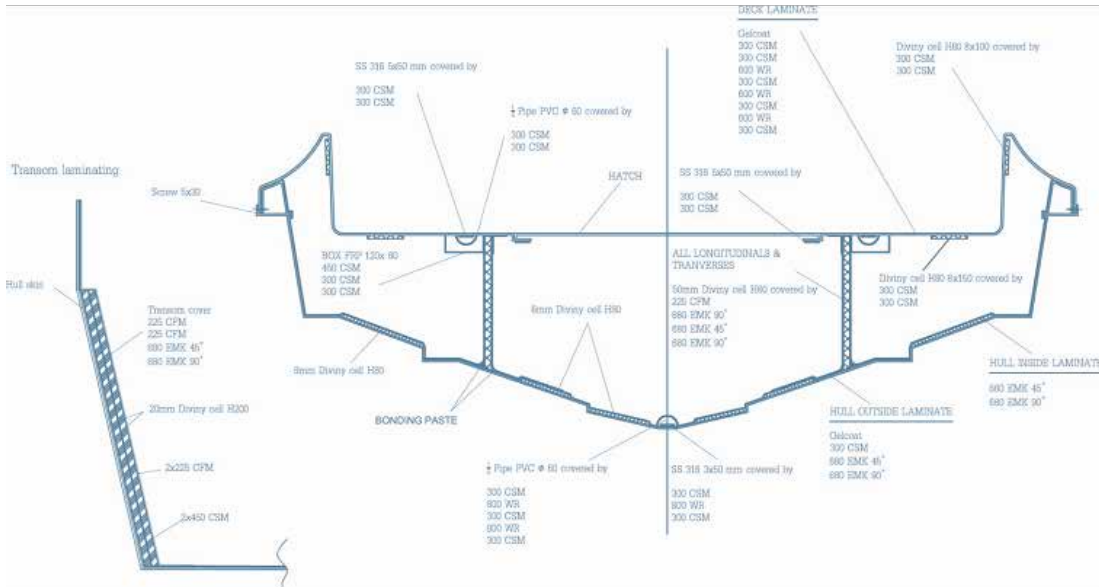
Patrol 11,2m specifications:

Length (meters)	11.20m
Beam (meters)	2.95m
Draft (meters)	0.45m
Tube (meters)	0.55/0.60m
Weight (kilogram)	1610kg
Fuel tank	200l
Max persons	22

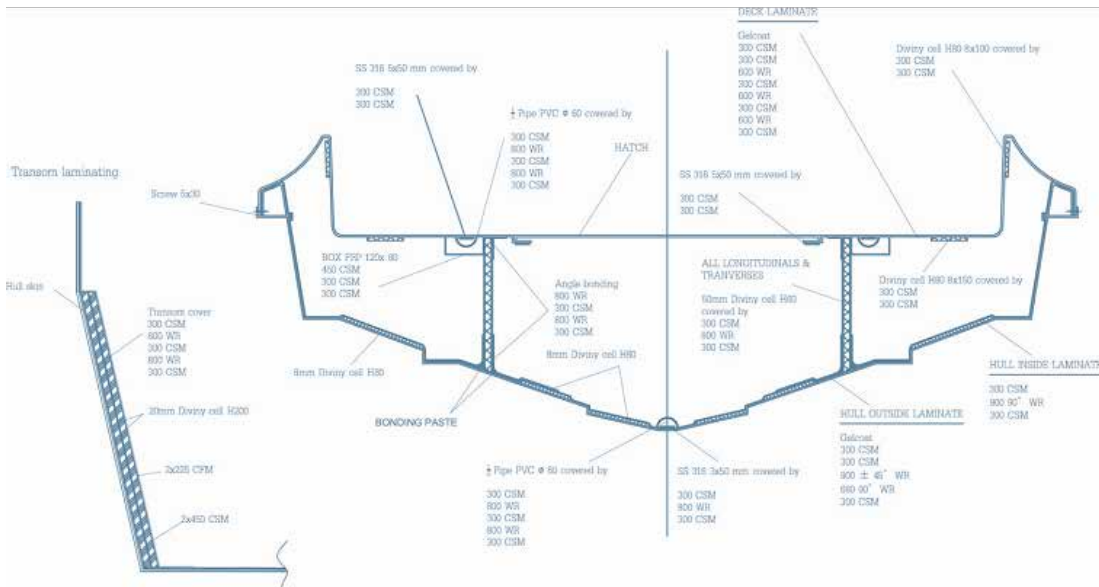
Engine specifications:

- Outboard engine max 2x350 hp
- Inboard engine max 450 hp

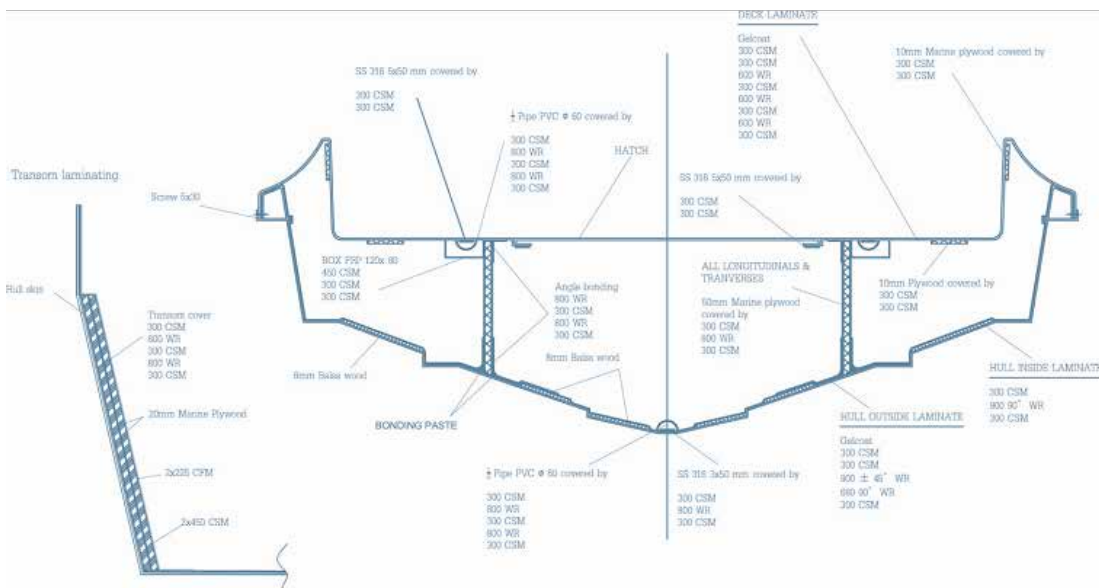




Vacuum injection laminate schedule with Divynycell core



Hand lay-up laminate schedule with Divynycell core



Hand lay-up laminate schedule with plywood core

Specification

Blue Spirit - Hypalon neoprene fenders



ORCA® 866

Division Produits techniques
 Technical Products Division
 Version n°1 8 du 20/04/09

Base fabric: Polyester High Tenacity 1670 dtex – 1500 deniers
 Coating : Ext Chlorosulfonated Polyethylene (CSM) / Polychloroprene (CR)
 Int : Polychloroprene (CR)

Specification	Standard-Test	Direction	Result (Imperial)	Result (Metric)
Surfacic Mass	ISO 2286-2 FSTM 191/5041		44,24 ± 4,42 oz/yd ²	1500 ± 150 g/m ²
Tensile Strength	ISO 1421 ASTM D 751 / B	CH (W) TR (F)	≥ 561,8 lbs/in ≥ 516,9 lbs/in	≥ 500 daN/5cm ≥ 460 daN/5cm
Tear Resistance	ISO 4674-1 ASTM D 751 / B	CH (W) TR (F)	≥ 74,19 lbs ≥ 78,68 lbs	≥ 33 daN ≥ 35 daN
Permeability (Helium) Zeppelin Test	NFG 37 114			≤ 2,5 l/m ² /24h
Peeling Test Adhesion	ISO 2411 ASTM D 751		≥ 16,85 lbs/in	≥ 15daN/5cm
Low Temperature Resistance	NF EN 1876-2 ASTM D 751		≤ - 4 F °	≤ -20°C
Heat Aging 7 days at 158 F (70°C)	NF EN 12280 - 1		Mechanical prop. Unchanged	
Hydrocarbon Resistance	ISO 1817		Mechanical prop. Unchanged	

Standard width : 57 in – 145 cm (edge cut)

Standard colours : Please refer to the ORCA® catalogue

The information supplied herein is based upon data currently available. Suggested applications are purely indicative and do not imply any warranty on serviceability. The client should always proceed with its testing and validation. Pennel & Flipo makes no guarantee of results and assumes no obligation or liability whatsoever in connection with this information. There are no warranties, either expressed or implied, including the warranty for fitness or merchantability, unless expressly set forth herein.

102, boulevard de l'Eurozone
 7700 Mouscron
 Belgium

Tél: +32 56/39 21 007700
 Fax: +32 56/39 21 01
 Email: orca@pennel.fr



YY-07-30

DESIGN YOUR OWN TENDER RIB IN 8 STEPS
—BLUE-SPIRIT.NL

Specification

PU foam filled fenders

Polyurethane SC-910 Information

SC910 is a high 100% solidified component dual liquid polyurethane flexible resin, which will be sprayed on water resistant closed cell foam.

Properties of product:

1. Thickness of PU after spraying about 5-6 mm
2. Special superior wear resistance, excellent anti rupture, highly waterproof and chemical resistant.
3. It can resist against high temperatures till 120°C and low temperatures till 343°C. It never causes cracking, melting, etc. if it exposed to high temperature (250°C) for a short period of time.
4. 100% solidified component. It contains no organic Solvent, poisonless, to meet the requirements of environmental protection
5. Excellent weather resistant, ultra violet protection, good adhesive. Never aging and cracking.

Typical physical property: Main A

- | | |
|--|----------------------------|
| • Tear strength (kg/cm ²) | Over 45 kg/cm ² |
| • Tensile strength (MPa) | Over 8.5 MPa |
| • Puncture resistance | Good |
| • Elongation (%) | Over 400% |
| • Moisture vapour (%) | Under 2 g/h m ² |
| • Transformation 40°C, 90%RH, 4mm testing sample | |
| • Flash point (PM) | |
| Main | Over 135°C |
| Hardner | Over 140°C |
| • Gas resistance (premium gasoline 48h) | Normal |
| • Flexibility 23°C | 300° OVER |
| -20°C | 300° OVER |
| -40°C | 300° OVER |





EO Lifecycle program

With the EO lifecycle program we provide a one stop solution for our clients:

Service - repair - sales - commissioning

Our program starts with service. We service under the name Euro Offshore Services BV. Our full range of services:

- Commissioning of Blue Spirit boats on location.
- Survey on boats.
- Maintenance and repairs.
- Genuine spare parts supply.
- Instruction and training programs of customers during service work on above mentioned products.

Constant technical assistance and immediate availability of skilled experts are only some of our strengths.

We ensure the availability of our service engineers all over the world.

Worldwide lifecycle program

Service - repair - sales - commissioning

Professional Offshore Accessories

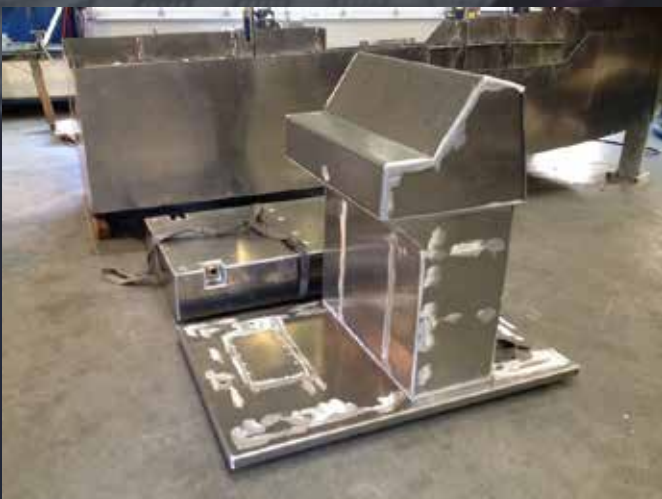
Euro Offshore B.V. has developed a state of the art accessories range for their professional offshore patrol and rescue boats.



The accessories have proven themselves by the intensive use and testing in the boat brands Blue Spirit, Alunautic and FibreShark.



At Euro Offshore B.V. we would like to share our experience and made our exclusive accessories range available for public.



A professional offshore control station featuring a steering console with a steering wheel, a jockey seat with a purple spring, and a dashboard with a radio, a screen, and three red emergency stop buttons. The station is mounted on a metal deck.

Professional Offshore Accessories

- Jockeyseats
- Leaning posts
- Steering consoles
- T-Tops
- Rollbars

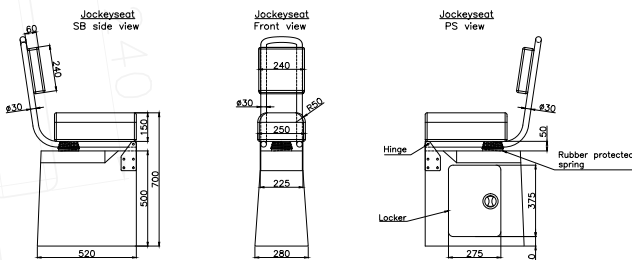
Jockeyseats



50-60 mm suspended jockeyseat

The standard jockeyseat has a suspension of approximately 50 till 60 mm.

The jockeyseat has proven itself since the beginning of the Blue Spirit boats.



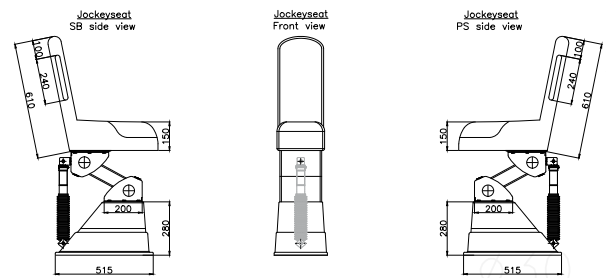
The pdf or autocad drawing is available for measurements or to integrate our jockeyseat in your design.



Base of the seat is made with vacuum injection to reduce weight and is available in any colour.

150 mm suspended jockeyseat

New in our accessories range is the extra suspended jockeyseat. With adjustable gas suspension from the well known brand 'Hyperpro'. Famous for their use in racing and other high end applications.



The pdf or autocad drawing is available for measurements or to integrate our jockeyseat in your design.



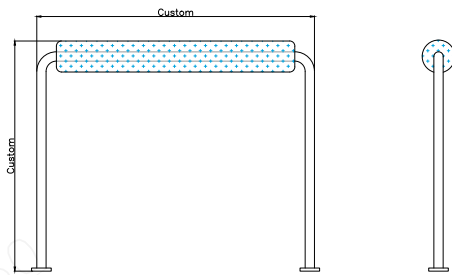
- Optional gas adjustable suspension.
- Optional adapter for 10 cm height elevation.
- Optional rail sliding system for jockeyseat mounting.

Aluminium leaning post



Aluminium leaning posts

This aluminium leaning post is available in custom dimensions as requested. The aluminium frame is standard painted in a black colour, custom colours on request.

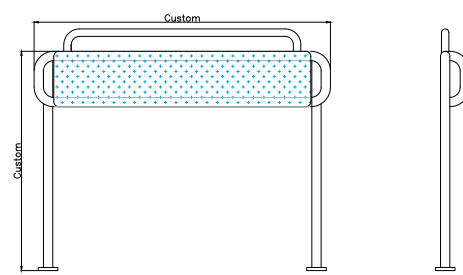


The pdf or autocad drawing is available for measurements or to integrate our aluminium leaning post in your design.



Aluminium leaning posts

This aluminium leaning post is available in custom dimensions as requested. The aluminium frame is standard painted in a black colour, custom colours on request.



The pdf or autocad drawing is available for measurements or to integrate our aluminium leaning post in your design.



Locker

275

375

50

Ø3

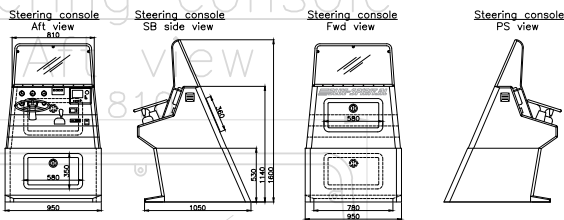
GRP steering consoles

Steering console



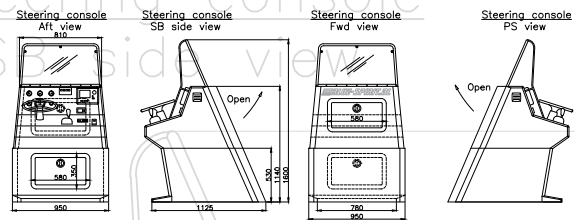
GRP steering console small

This GRP steering console can be used for all boats. The l x b x h dimensions of the console are 1050 x 950 x 1600 mm.



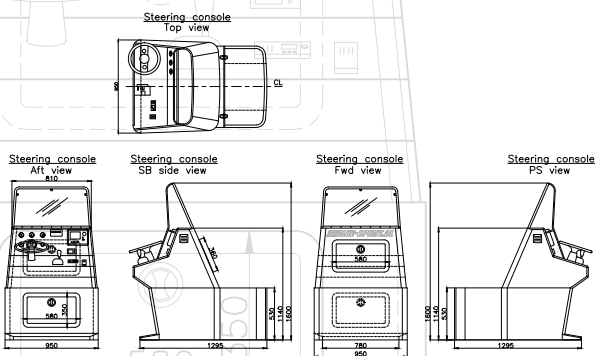
GRP steering console wide with door

This GRP steering console can be used for all boats. The l x b x h dimensions of the console are 1125 x 1120 x 1600 mm.



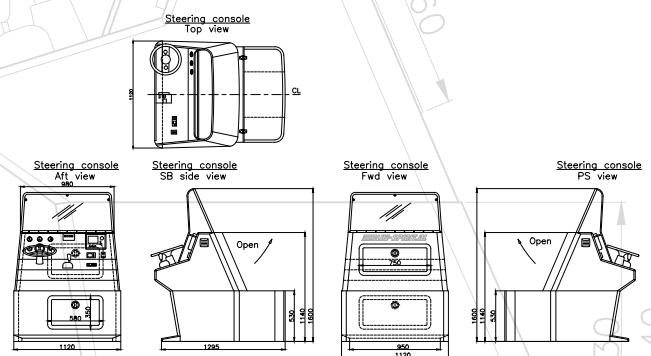
GRP steering console with engine box

This GRP steering console can be used for all boats. The l x b x h dimensions of the console are 1295 x 950 x 1600 mm.



GRP steering console with toilet

This GRP steering console can be used for all boats, optional with toilet under the seat. The l x b x h dimensions of the console are: 1295 x 1120 x 1600 mm.



All GRP consoles are standard made by the hand lay-up process. On request with vacuum injection and divinycell core. Colour on request.

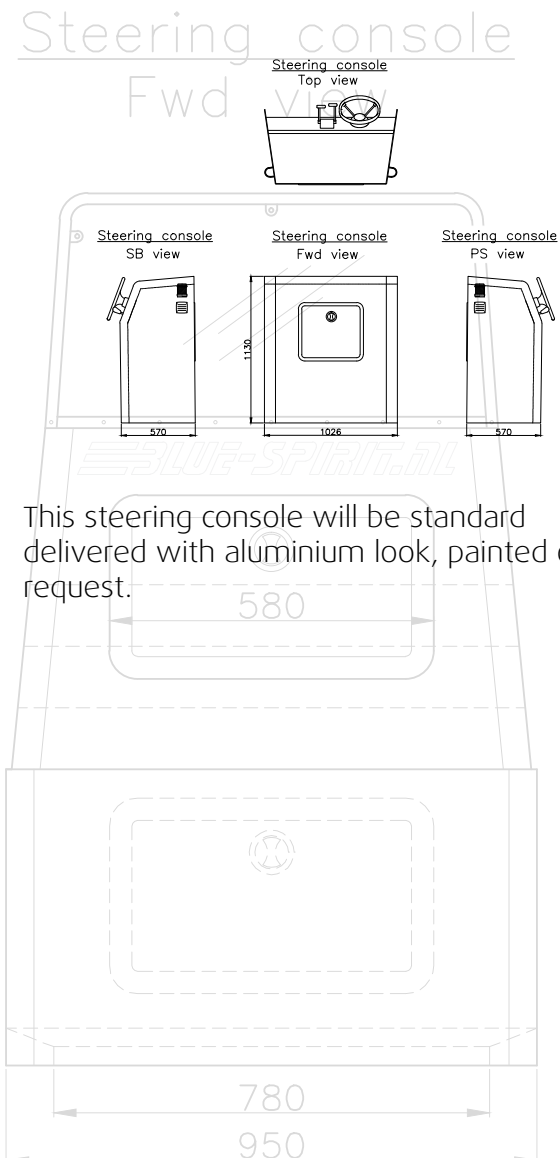
All GRP consoles are standard made by the hand lay-up process. On request with vacuum injection and divinycell core. Colour on request.

Aluminium steering console



Aluminium steering console small

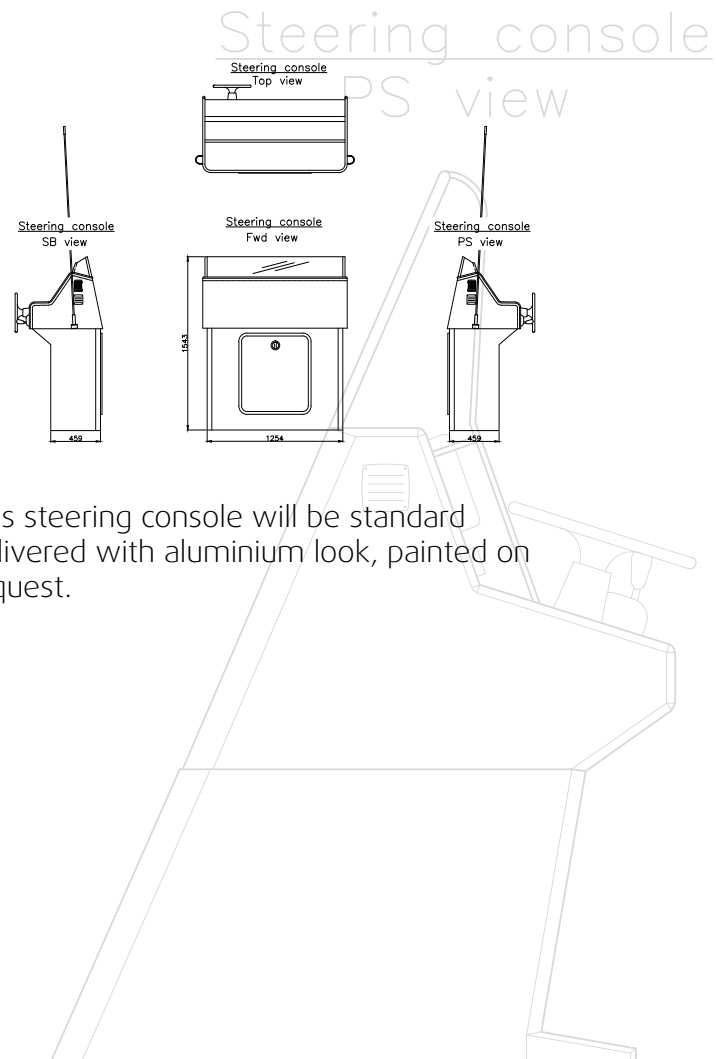
This aluminium steering console can be used on all boats. The l x b x h dimensions of the console are 570 x 1000 x 1130 mm.



This steering console will be standard delivered with aluminium look, painted on request.

Aluminium steering console extra wide

This aluminium steering console can be used on all boats. The l x b x h dimensions of the console are 680 x 1250 x 1545 mm.



This steering console will be standard delivered with aluminium look, painted on request.

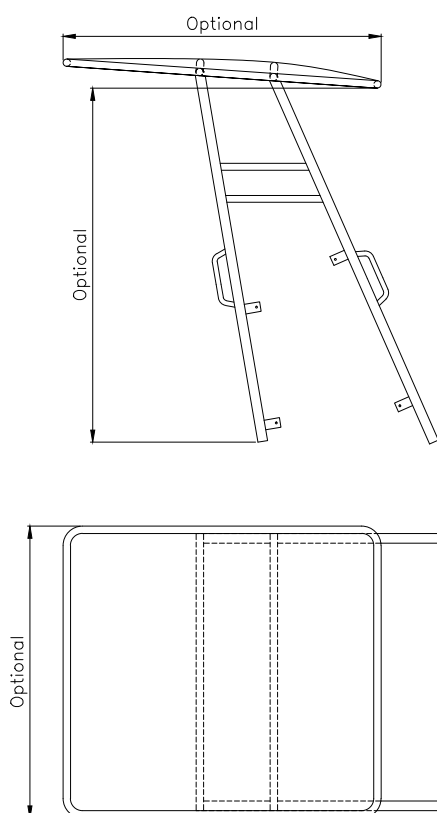
Aluminium T-Tops



T-Top with canvas roof

Aluminium T-Top with canvas roof. Frame standard delivered in black paint, custom colour on request. Canvas colour on request.

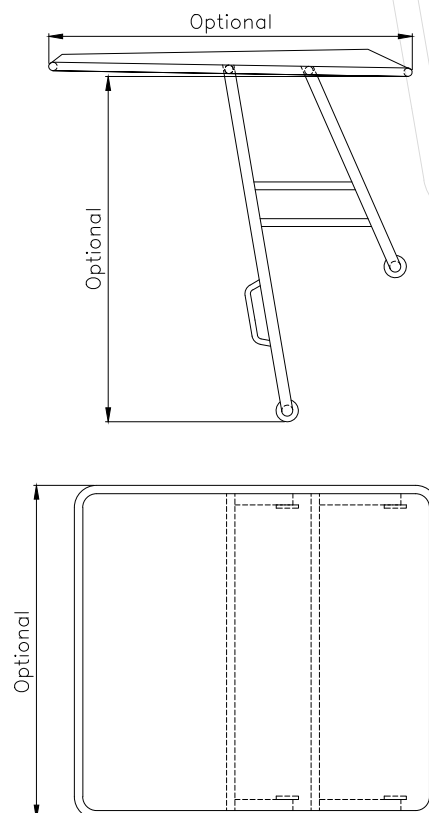
The pdf or autocad drawing is available for standard dimensions or to integrate our T-Top in your design.



T-Top with GRP roof

Aluminium T-Top with GRP or aluminium roof. Frame standard delivered in black paint, custom colour on request. GRP / aluminium colour on request.

The pdf or autocad drawing is available for standard dimensions or to integrate our T-Top in your design.

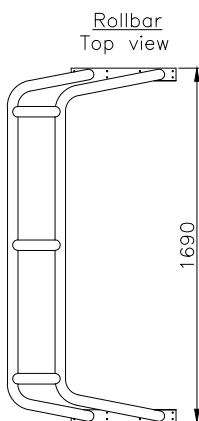
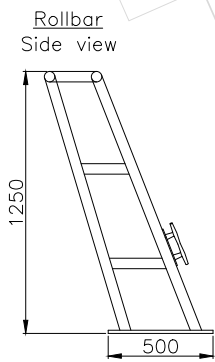


Aluminium rollbars



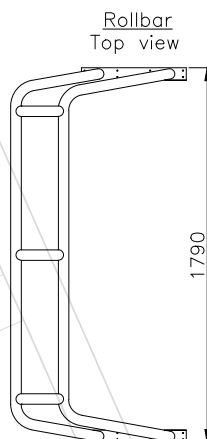
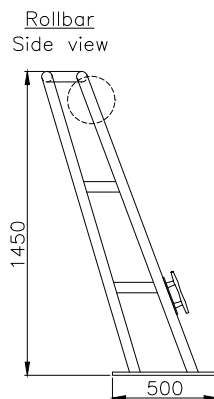
Aluminium rollbar small

Available in aluminium or painted. 2D pdf and autocad drawings available.



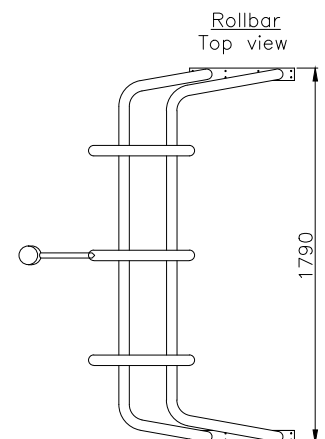
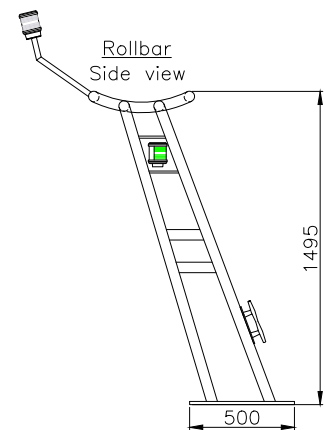
Aluminium rollbar large

Available in aluminium or painted. 2D pdf and autocad drawings available.



Selfrighting rollbar

This aluminium rollbar is equipped with a selfrighting system made of a hypalon bag with CO2 filling system. The bag volume varies per boat type.





300
fourstroke
V6



YAMAHA

300
fourstroke
V6



Engines

Blue Spirit can supply in - and outboard engines and parts of the following manufacturers:

- Mercury
- Yanmar
- Marine Diesel
- Steyr
- Bukh
- Volvo
- Yamaha
- Evinrude

We can advise on the best possible engine for your application. If you are looking for the right package for your purpose, contact us for advice. Most conventional parts are in stock or in stock at our suppliers.



Blue Spirit distributor:

World Wide Distribution Factory

Beatrixhaven 19, 4251 NK WERKENDAM - The Netherlands - Tel: +311 8369 1010 - Email: info@eurooffshore.com - www.bluespiritboats.com